

ENGLISH

MAG:CFX®

USER AND INSTALLATION MANUAL

# ECO2JET 2L ATTACHABLE FLUID CAN



CE ACCESSORIES

PART02518 rev 01-01

# DISCLAIMER

---

**⚠ WARNING**

Read this manual carefully before installing and/or using this product. Failure to read the manual and to follow the printed instructions may lead to personal injury and/or damage to the product.

---

© 2024 MAGICFX®

All rights reserved.

Nothing from this publication may be copied, reproduced and/or published by means of printing, photocopying or by any other means, without the prior written approval of MAGIC FX.

MAGIC FX reserves the right to modify specifications stated in this manual.

## TRADEMARKS

Any brand names mentioned in this manual are registered trademarks of their respective owners.

## LIABILITY

MAGIC FX accepts no liability for claims from third parties arising from unauthorised use, use other than that stated in this manual, and use other than in accordance with the General Conditions registered at the Chamber of Commerce.

We further refer to the General Conditions. These are available on request, free of charge.

Although considerable care has been taken to ensure a correct and comprehensive description of all relevant components, the manual may nonetheless contain errors and inaccuracies.

Should you detect any errors or inaccuracies in the manual, we would be grateful if you would inform us. This helps us to further improve our documentation.

# TABLE OF CONTENT

Introduction	4
Target group	4
Other documentation	5
Language	5
Abbreviations	5
Revision table	5
<b>1. Description</b>	<b>6</b>
1.1. Main parts	7
1.2. Fuel	8
1.3. Technical data	8
1.4. Product identification	9
1.5. Accessories	9
1.6. Control	10
<b>2. Safety</b>	<b>11</b>
2.1. General safety rules	11
2.2. Indoor & outdoor use	11
2.3. Rigging	12
2.4. Safety symbols	12
2.5. Safety warnings	13
<b>3. Installation and use</b>	<b>15</b>
3.1. Install on stage	15
3.2. Clamp to a truss	16
3.3. Mounting at an angle	17
3.4. Connecting to the PUMP STATION	18
3.5. Fire with DMX	18
3.6. Use the emergency stop	19
<b>4. Troubleshooting</b>	<b>19</b>
<b>5. Maintenance</b>	<b>20</b>
<b>6. Correct disposal</b>	<b>21</b>
<b>7. EC Declaration of Conformity</b>	<b>22</b>





# INTRODUCTION

Congratulations! You have bought a great new product from MAGIC FX.

This manual contains all information required for the intended use of the equipment. Deviation from the described intended use can result in a hazardous situation and/or property damage.

This manual includes notes and warnings on safe operation of the equipment. These notes and warnings are accompanied by the following icons. Read them attentively!

---

 <b>DANGER</b>	Indicates a hazardous situation that, if not avoided, will result in death or serious injury. This signal word is to be limited to the most extreme situations.
 <b>WARNING</b>	Indicates a hazardous situation that, if not avoided, could result in death or serious injury.
 <b>CAUTION</b>	Indicates a hazardous situation that, if not avoided, could result in minor or moderate injury.
 <b>NOTICE</b>	Indicates information considered important, but not hazard-related (e.g. messages relating to property damage).

---

## TARGET GROUP

This manual is targeted at authorised personnel in the event industry that install and operate the ECO2JET 2L ATTACHABLE FLUID CAN.

Authorised personnel are those who:

- Are appointed by their supervisor to install and/or operate the ECO2JET 2L ATTACHABLE FLUID CAN.
- Are trained in recognizing and avoiding hazards related to SFX applications at events.
- Are familiar with and abide by the applicable local, national and international laws and regulations.

## LANGUAGE

This document contains the original instructions in English. In case you require other languages please contact MAGIC FX.

# ABBREVIATIONS

Abbreviation	Description
SFX	Special effects
ECO2JET	MAGICFX® ECO2JET®
ECO2JET 2L ATTACHABLE FLUID CAN	MAGICFX® ECO2JET® 2L Attachable Fluid Can

Abbreviations

# REVISION TABLE

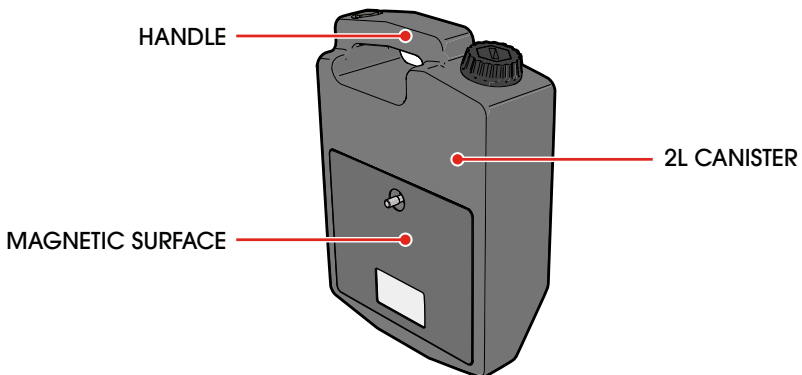
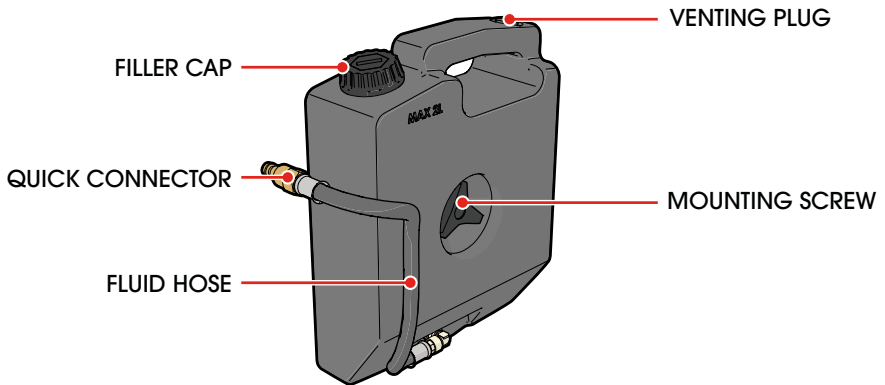
Doc nr	Revision	Date	Description	Author	Approved
PART02518	01-00	11-04-2024	Initial release	RH, MBO	RH
PART02518	01-01	25-10-2024	Updated front page	MBO	DV

# 1. DESCRIPTION

The ECO2JET 2L ATTACHABLE FLUID CAN is an additional module for the ECO2JET. The fluid can has the capacity to store 2 liters of smoke fluid directly onto the machine. This gives significantly more freedom when using the ECO2JET compared to using a separate fluid can. The ECO2JET 2L ATTACHABLE FLUID CAN can be (re-)filled with Indoor or Outdoor Fluid.

## 1.1. MAIN PARTS

---



---

Main parts

## 1.2. TECHNICAL DATA

<b>Product</b>	Product Name	ECO2JET 2L ATTACHABLE FLUID CAN	
	Product Code	MFX1803	
	Product Type	Accessories	
<b>Main Dimensions</b>	Length	250 mm	9.8 in
	Width	180 mm	7 in
	Height	70.5 mm	2.8 in
<b>Weight</b>	Empty Weight	0.5 kg	1.1 lbs
	Full weight	2.5 kg	5.5 lbs
	Packaged Weight	0.8 kg	1.8 lbs
<b>Work Load Limit</b>	WLL	22 kg	48.4 lbs
<b>Fluid capacity</b>	Fluid capacity	2 L	67.6 fl oz
<b>Environment</b>	Minimum Temperature	- 10 °C	41 °F
	Maximum Temperature	50 °C	122 °F
	Humidity (Relative)	20 to 90 % (non-condensing)	

Technical data

## 1.3. PRODUCT IDENTIFICATION



Type plate

## 1.4. FX FLUIDS

The ECO2JET uses dedicated fluids from MAGIC FX to create plumes of white smoke. The fluids are available in 5L fluid cans. The ECO2JET 2L ATTACHABLE FLUID CAN can be fitted with the supplied filler nozzle to fill the can with fluid.

### **⚠ WARNING**

Do not use other fluids than those that are approved and supplied by MAGIC FX, see the following table. Always follow the instructions as noted on the fluid can. The warranty is void if other fluids are used.

<b>Code</b>	<b>Type of fluid</b>	<b>Volume</b>
MF3090	MAGICFX® ECO2JET® Outdoor Fluid	5 L
MF3091	MAGICFX® ECO2JET® Indoor Fluid	5 L

FX fluids

## 1.5. ACCESSORIES

<b>Code</b>	<b>Product</b>	<b>Included</b>
PART02517	Filler nozzle	1x

Accessories

Please contact MAGIC FX for additional possibilities.

## 2. SAFETY

The ECO2JET 2L ATTACHABLE FLUID CAN has been designed and constructed in such a manner that it can be used safely. This applies to the use, the circumstances and the regulations as described in this documentation. Reading this documentation and following the instructions are therefore necessary for everyone who is authorised to work with the ECO2JET 2L ATTACHABLE FLUID CAN.

The ECO2JET 2L ATTACHABLE FLUID CAN must be used in surroundings that:

- Have a reasonably stable temperature of between -10 and 50 °C.
- Have a relative humidity degree between 20 % and 90 % (non condensing).
- Are free of dust, corrosive gases and high concentrations of organic vapours.
- Are not situated in the vicinity of a source of vibration.

### 2.1. GENERAL SAFETY RULES

- Only authorised persons may work with the ECO2JET 2L ATTACHABLE FLUID CAN.
- Do not use the ECO2JET 2L ATTACHABLE FLUID CAN if alterations have been made other than by or on behalf of MAGIC FX.
- Make sure that children, unauthorised people and animals do not obtain access to the ECO2JET 2L ATTACHABLE FLUID CAN.
- Do not connect more than one ECO2JET to a single ECO2JET 2L ATTACHABLE FLUID CAN.
- Ensure no contamination enters the ECO2JET 2L ATTACHABLE FLUID CAN.
- Ensure no liquid can leak from the ECO2JET 2L ATTACHABLE FLUID CAN.
- Do not remove or bypass any safeguards and safety symbols.
- All required safety devices must be in good condition and function properly.
- Ensure sufficient lighting of the surroundings.
- Keep the workplace clean.



## 2.2. RIGGING

Please follow the European and national guidelines for safe rigging and trussing.


### **⚠ WARNING**

MAGIC FX is not responsible for any rigging equipment and accessories provided by third party manufacturers. Verify that the Work Load Limit (WLL) of all additional hardware rigging accessories is respected.

### **NOTICE**

In compliance with Machinery Directive 2006/42/EG, our product incorporates a safety factor of 7 against rupture. This factor is crucial for applications involving machinery used above people, ensuring enhanced safety for users and bystanders.

## 2.3. SAFETY SYMBOLS

Symbol	Meaning	Position
	Read the manual carefully before use!	On the product identification

Safety symbols

## 2.4. SAFETY WARNINGS

### **⚠ WARNING**

Using a damaged or an improper installed ECO2JET 2L ATTACHABLE FLUID CAN can lead to death, serious injury or property damage. Always inspect the ECO2JET 2L ATTACHABLE FLUID CAN thoroughly before operation.

### **⚠ WARNING**

Do not use the ECO2JET 2L ATTACHABLE FLUID CAN if alterations have been made other than by or on behalf of MAGIC FX.

### **⚠ WARNING**

The ECO2JET 2L ATTACHABLE FLUID CAN is specifically designed for the ECO2JET. Do not use the ECO2JET 2L ATTACHABLE FLUID CAN with other equipment than the ECO2JET.

### **⚠ WARNING**

Missing or obscured safety symbols on the product can lead to death or serious injury. Make sure all safety symbols are correctly in place, see section 2.3.

### **⚠ WARNING**

When a safety wire is required, use a safety wire with an emergency link that is tightened with a wrench. Handtight is not enough.

**⚠ WARNING**

Make sure the structure intended to hold the machine is calculated for the weight. Overhead rigging requires extensive experience in calculating load limits, installation materials, and performing periodic safety inspection. Only qualified personnel is allowed to perform this.

**⚠ WARNING**

Always ensure that the ECO2JET 2L ATTACHABLE FLUID CAN is securely mounted and that it is properly connected to prevent any accidents or spills.

**⚠ WARNING**

Regularly inspect the ECO2JET 2L ATTACHABLE FLUID CAN and its components for any signs of wear or damage, and replace as necessary to maintain safe and efficient operation.

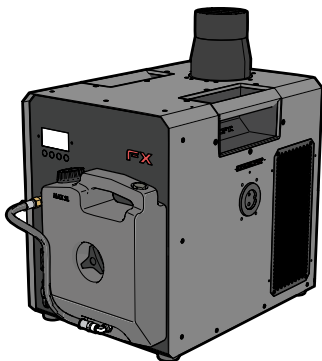
**⚠ CAUTION**

Installing the ECO2JET 2L ATTACHABLE FLUID CAN in a motion truss is not recommended.

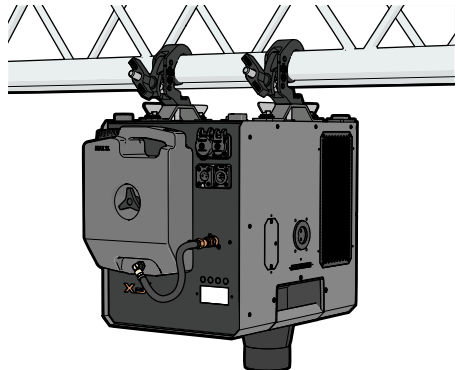
### 3. INSTALLATION AND USE

The ECO2JET 2L ATTACHABLE FLUID CAN has a storage capacity of 2 liters which can generate approximately 5 minutes of smoke effect. The fluid can mounts onto the ECO2JET with magnets and a central mounting screw. A hose with quick connector gets the smoke fluid to the machine. To enable the flow of smoke fluid to the machine, the connection point of the hose onto the fluid can has to face downward.

Fluid can orientation when shooting upwards.

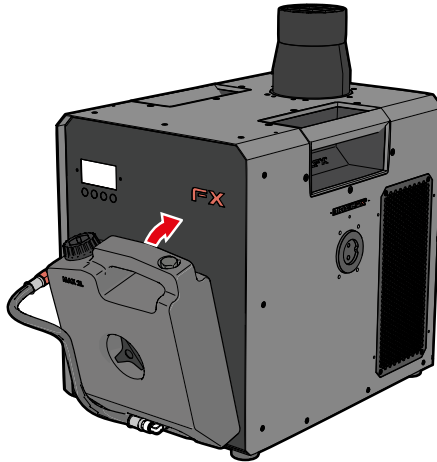


Fluid can orientation when shooting downwards.

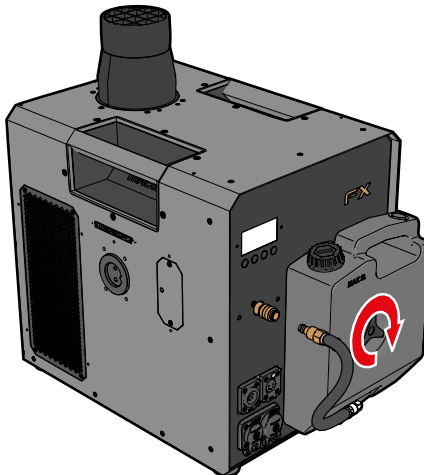


### 3.1. MOUNT THE ECO2JET® 2L ATTACHABLE FLUID CAN

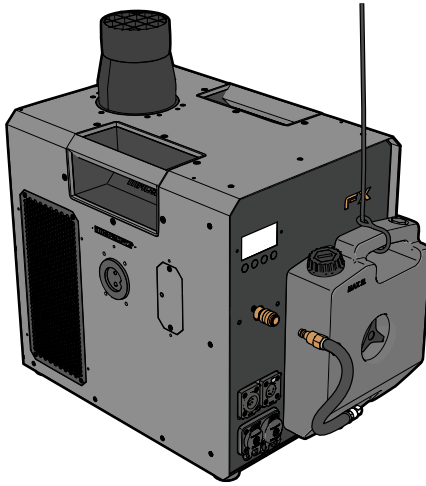
1. Place the Attachable Fluid Can on the display side of the ECO2JET. Keep the fluid can tilted to align the central mounting screw with the corresponding hole in the machine.
  2. Pivot the can into position.
- 



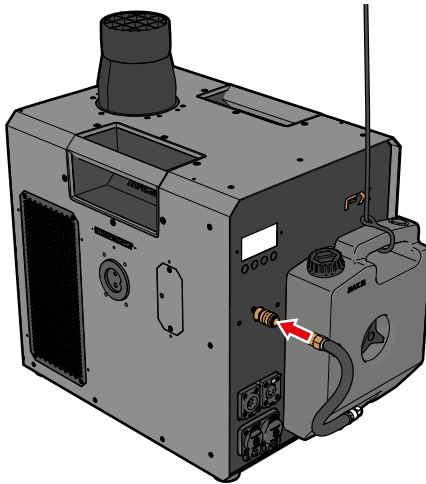
3. Tighten the central mounting screw to secure the Attachable Fluid Can to the ECO2JET. Do not overtighten.
- 



4. Connect a safety steel around the handle of the fluid can. Make sure the safety steel is as short as possible. If needed, wind the steel around the truss to pull it tight.

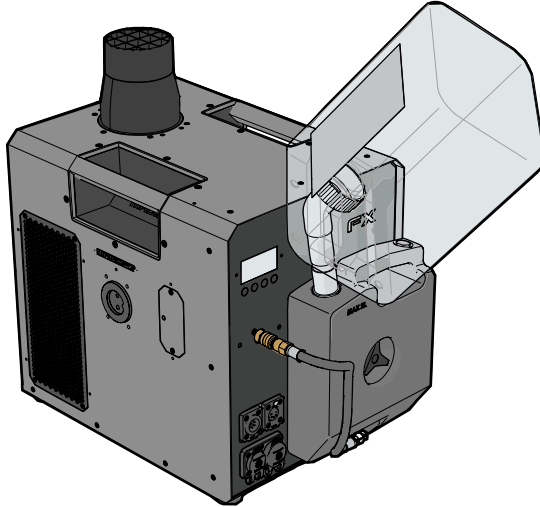


5. Connect the quick connector hose to the ECO2JET.



### 3.2. FILL THE ECO2JET 2L ATTACHABLE FLUID CAN

1. Screw the filler nozzle to the 5L fluid can.
  2. Remove the filler cap from the ECO2JET 2L ATTACHABLE FLUID CAN. Let the filler cap hang by the retaining wire, this prevents losing the cap.
  3. Fill the Attachable Fluid Can with fluid.
- 



4. Close the filler cap. Make sure this is tight and does not leak.

## 4. TROUBLESHOOTING

The ECO2JET 2L ATTACHABLE FLUID CAN is always used in combination with the ECO2JET. Error codes on the ECO2JET display can relate to the Attachable Fluid Can.

In case the display shows one of the following error/alarm or warning codes, act accordingly:

Code	Meaning	Solution
018	Pressure problem	<ul style="list-style-type: none"><li>• Make sure that the fluid can is not empty.</li><li>• Make sure that all hoses are connected properly and are not pinched.</li><li>• Make sure all fittings are leakproof.</li><li>• If the problem is not solved, contact MAGIC FX.</li></ul>

Troubleshooting

Always contact MAGIC FX if any malfunctions or (unlisted) errors occur that cannot be solved with the instructions as described in this manual.

In this stage, MAGIC FX appreciates it if the occurrence of errors/warnings will be reported as detailed as possible.

## 5. MAINTENANCE

To achieve the maximum service life of the ECO2JET 2L ATTACHABLE FLUID CAN you must regularly clean the ECO2JET 2L ATTACHABLE FLUID CAN and test if it is functioning correctly.

Inspect the inside of the ECO2JET 2L ATTACHABLE FLUID CAN for contamination or blockage of the fluid hose. Clean the fluid can and test if the fluid is flowing sufficiently. Inspect the handle for safety steel wear. Contact Magic FX if the fluid can is not functioning correctly.

### DANGER

Do not replace parts yourself; always consult MAGIC FX if necessary.

## 6. EC DECLARATION OF CONFORMITY

According to Annex III A Low Voltage Directive 2014/35/EU

MAGIC FX B.V. declares as manufacturer and composer of the technical construction file that the product with the following specifications:

Name machine	: ECO2JET 2L ATTACHABLE FLUID CAN
Type	: MFX1803
Work Load Limit	: 22 kg   48.4 lbs
Serial number	: N/A
Year of construction	: on product

Is in conformity with the minimal safety regulations as stated in the following directive(s):

- Directive 2006/42/EC Machinery Directive

The following harmonized standards were applied:

- NEN-EN-ISO 12100:2010 Safety of machinery - General principles for design - Risk assessment and risk reduction.
- NEN-EN 13155:2020 Crane - Safety - Non-fixed load lifting attachments

- Original declaration of conformity
- Translation of the original declaration of conformity

Name manufacturer	: MAGIC FX B.V.
Address	: Schouwrooij 27, 5281 RE BOXTEL
Country	: The Netherlands
CEO	: B. Veroude
Date	: 17-05-2024
Signature	



**MAG:CFX<sup>®</sup>**

[WWW.MAGICFX.EU](http://WWW.MAGICFX.EU)

